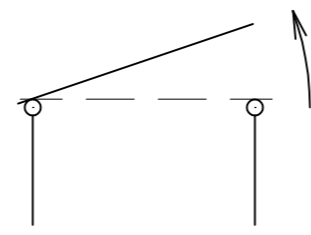


THIS DRAWING IS UNPUBLISHED. RELEASED FOR PUBLICATION
 © COPYRIGHT BY TYCO ELECTRONICS CORPORATION. ALL RIGHTS RESERVED.

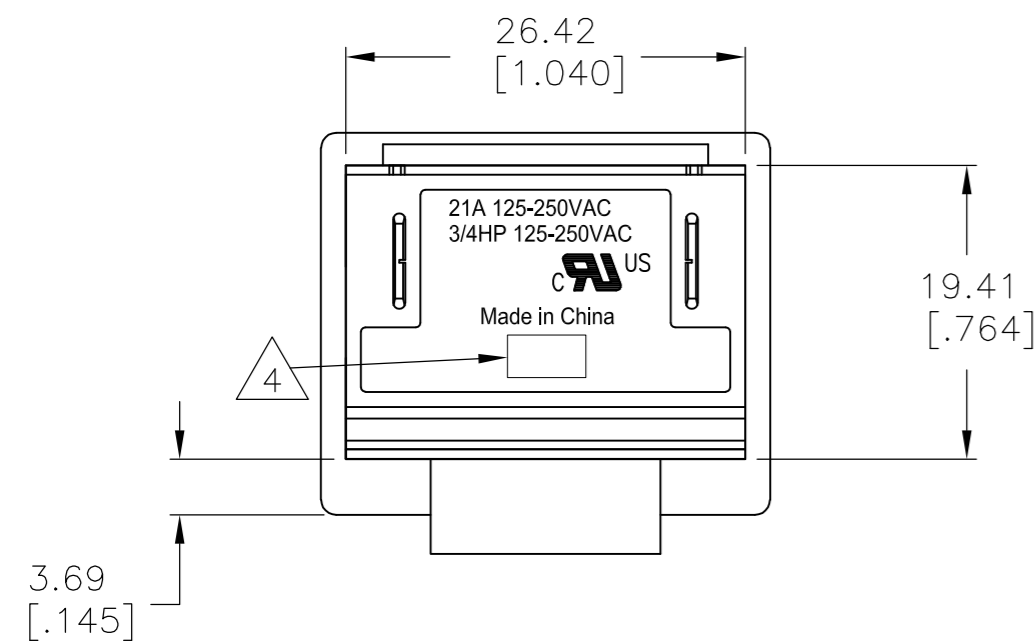
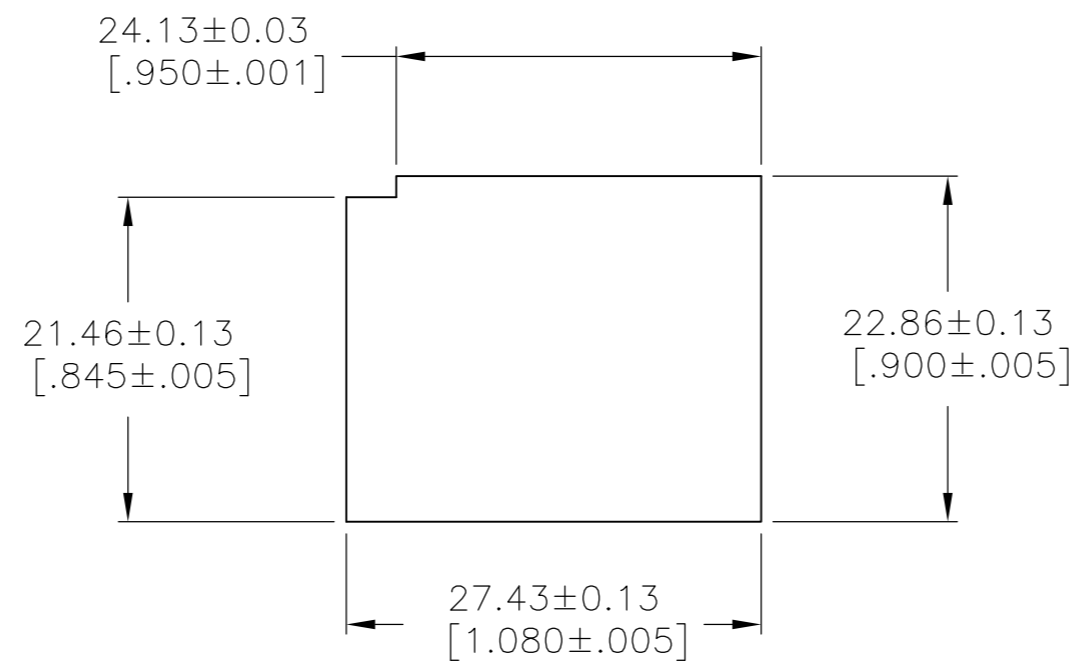
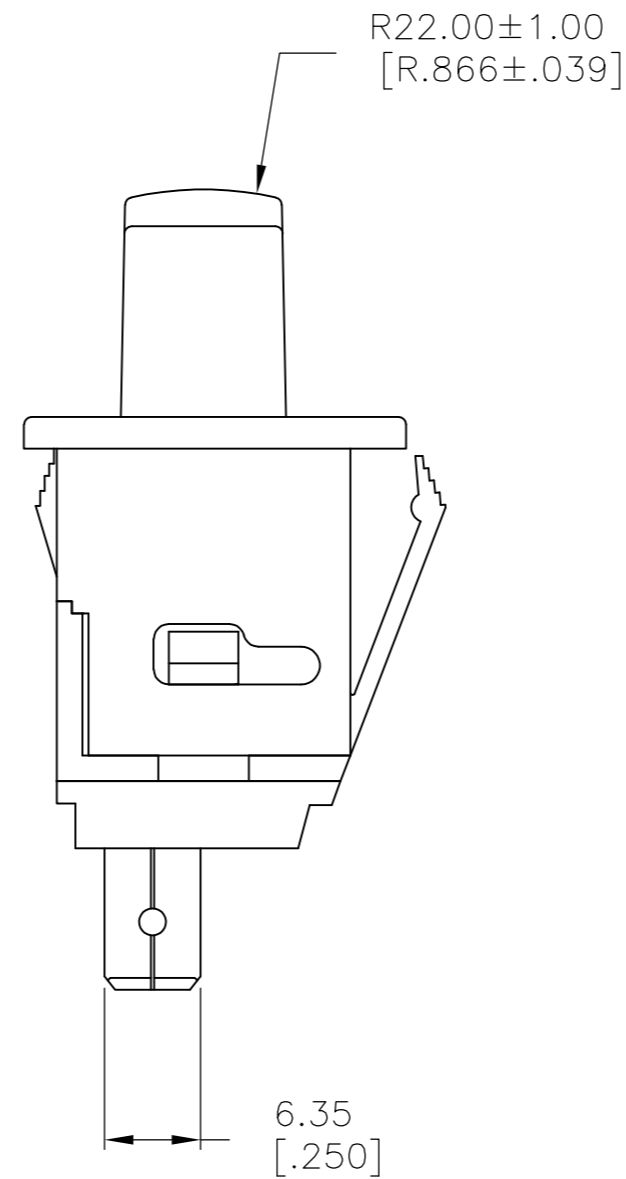
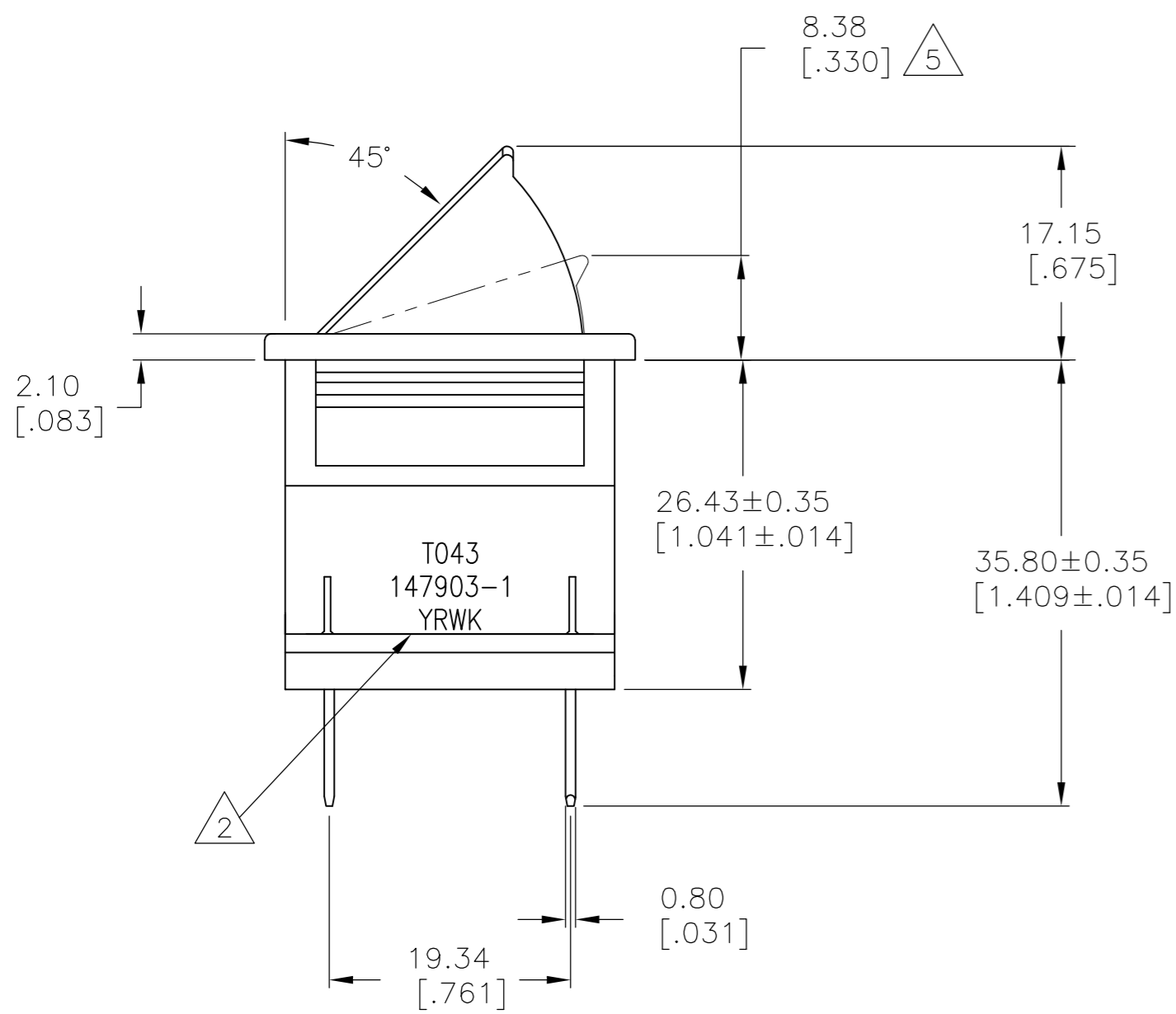
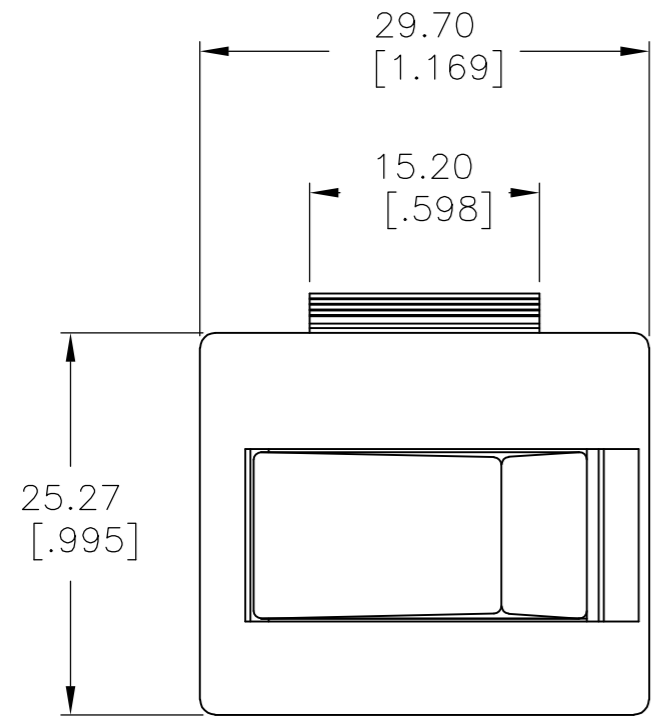
LOC	DIST	REVISIONS			
P	LTR	DESCRIPTION	DATE	DWN	APVD
AD	00	B1	REVISED PER ECO-10-007856	15APR10	HMR NE

CIRCUIT DIAGRAM



N/O, PUSH ON

Rating	21A 125-250VAC 3/4 HP 125-250VAC
Contact R	50 mohm Max.
Insulation R	DC 500V, 100M ohm Min.
Dielectric Strength	AC 1500V, 1 minute
Operation Temperature	-20°C ~ +85°C



- 1 MATERIAL: HOUSING AND ACTUATOR: NYLON 6/6 BLACK,94V-2. PLUNGER: BRASS ALLOY PER ASTM B016 TERMINALS: BeCu ALLOY PER ASTM B196 CONTACTS: SILVER-TIN OXIDE
- 2 INK STAMP AS SHOWN (TEXT HEIGHT 1.6±0.25MM): PART NUMBER & DATE CODE (YEAR & WEEK).
- 3 OPERATING FORCE 425 GRAM (15 OZ.) MAX.
- 4 ELECTRICAL RATINGS, APPROVED AGENCY LOGOS, COUNTRY OF ORIGIN, AND TE LOGO PER TEC-202-36 APPROXIMATELY AS SHOWN.
- 5 MINIMUM CONTACT ENGAGEMENT
- 6 COMPONENT RECOGNIZED TO US AND CANADIAN STANDARDS, UL FILE NO. E46765

147903-1
PART NUMBER

THIS DRAWING IS A CONTROLLED DOCUMENT.		DWN M.BINNER 06JAN05	Tyco Electronics Corporation Harrisburg, PA 17105-3608	
DIMENSIONS: mm [INCHES]		CHK D.ROHDE 06JAN05		
TOLERANCES UNLESS OTHERWISE SPECIFIED:		APVD -	NAME	
0 PLC ± -	1 PLC ± -	PRODUCT SPEC -	NON-SNAP ACTION SWITCH	
2 PLC ± 0.10[.004]	3 PLC ± -	APPLICATION SPEC -	NORMALLY OPEN, 21A 125-250VAC	
4 PLC ± -	ANGLES ± 2°	WEIGHT -	SIZE A2	CAGE CODE 00779
MATERIAL 1	FINISH -	CUSTOMER DRAWING	DRAWING NO C=147903	RESTRICTED TO -
			SCALE 2:1	SHEET 1 OF 1
			REV B1	